

### The range KONTREC® SIMPLE

#### Technical features

- + Easy to service due to simple element change
- + Space-saving, compact design
- + Test drain for easy checking of the condensate status
- + Four condensate inlets (**KONTREC® S75-1000**)
- + Two versions:
  - **Standard:** for mineral lubricants
  - **K-Type:** for synthetic lubricants and emulsions



Type	Capacity cfm	Connection Inlet	Connection Outlet	Quantity Filtersets	max. oil absorption lbs
KON-S75	75	6 mm hose connection	8 mm hose connection	1 Piece	3.3
KON-S150	150	4 x 1/2"	1/2"	1 Piece	6.8
KON-S450	450	4 x 1/2"	3/4"	1 Piece	20.2
KON-S1000	1000	4 x 1/2"	3/4"	1 Piece	44.9

Type	Capacity cfm	Connection Inlet	Connection Outlet	Quantity Filtersets	max. oil absorption lbs
KON-S75-K	75	6 mm hose connection	8 mm hose connection	1 Piece	3.3
KON-S150-K	150	4 x 1/2"	1/2"	1 Piece	6.8
KON-S450-K	450	4 x 1/2"	3/4"	1 Piece	20.2
KON-S1000-K	1000	4 x 1/2"	3/4"	1 Piece	44.9

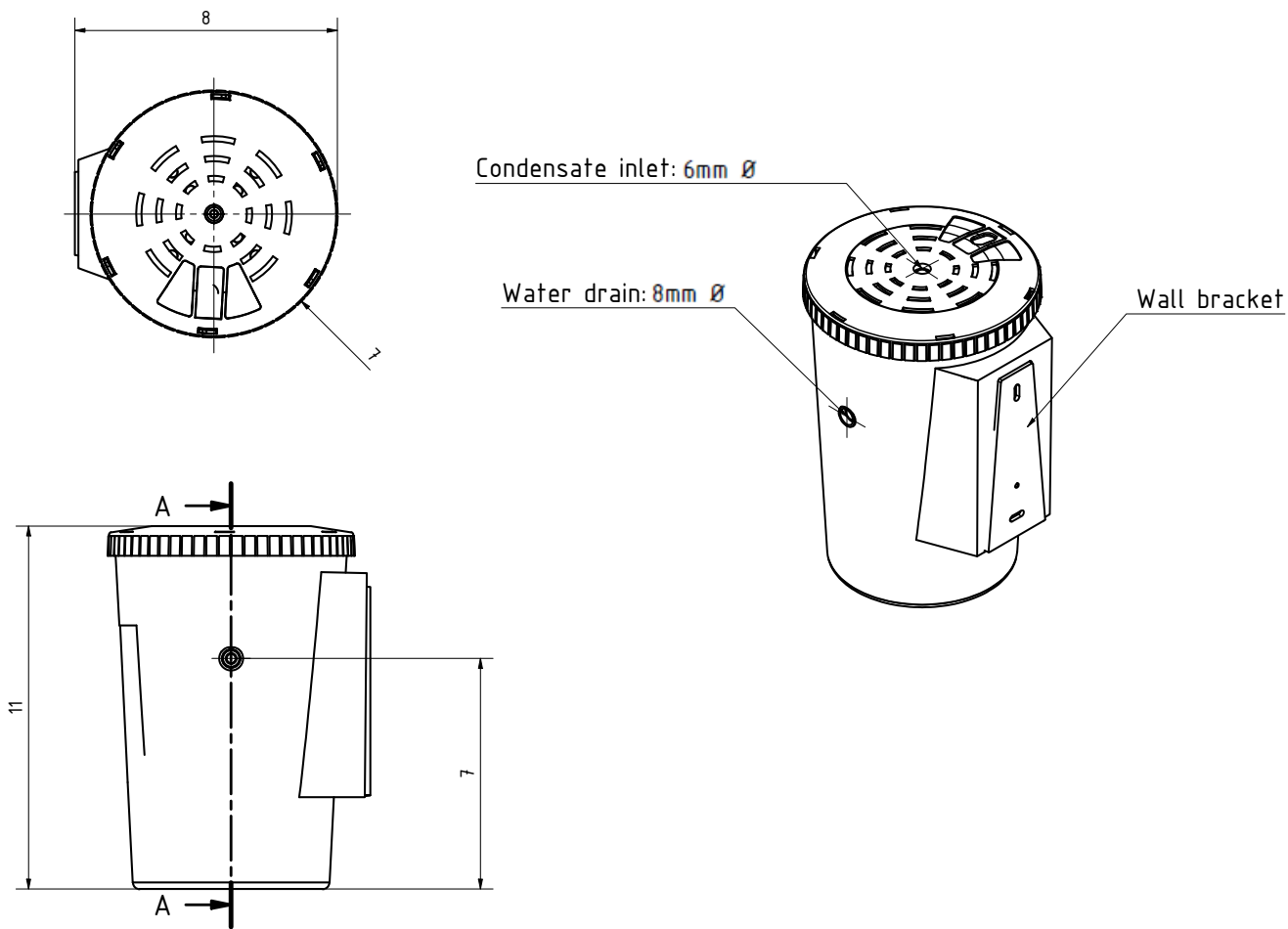
#### Filtersets KONTREC® SIMPLE

Type	consisting of		
	Primary filter	Secondary filter	Tertiary filter
KON-FS75	1 Piece	1 Piece	/
KON-FS150	1 Piece	1 Piece	/
KON-FS450	1 Piece	1 Piece	/
KON-FS1000	1 Piece	1 Piece	1 Piece

#### Filtersets KONTREC® SIMPLE K-Type

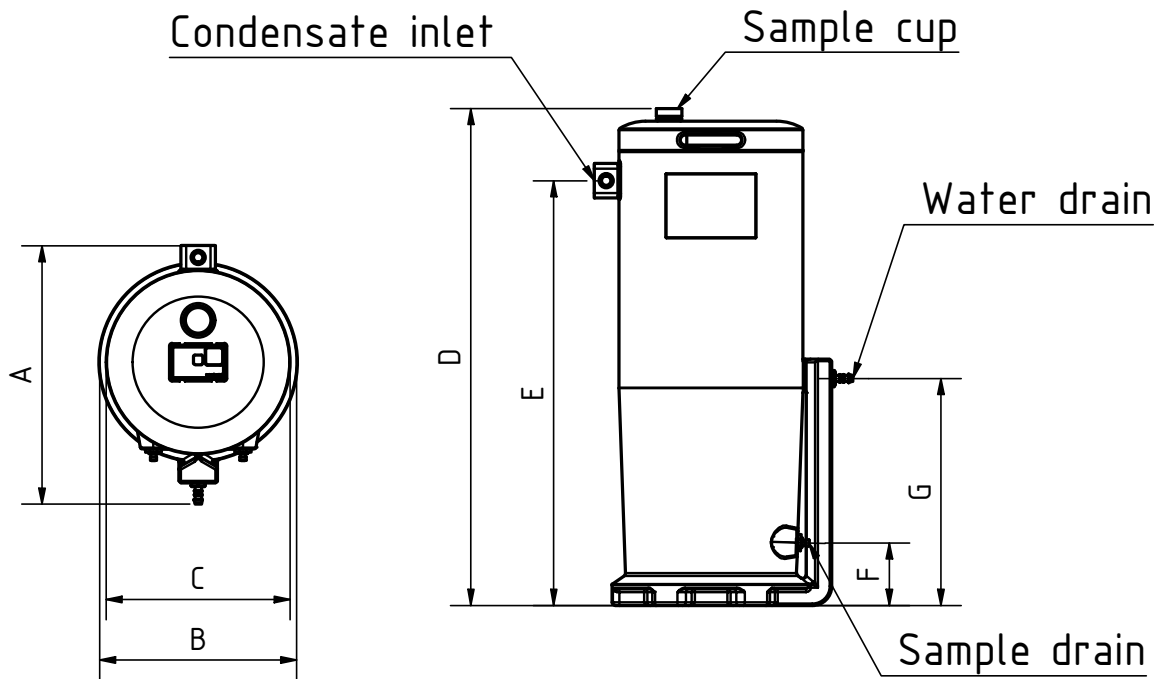
Type	consisting of		
	Primary filter	Secondary filter	Tertiary filter
KON-FS75-K	1 Piece	1 Piece	/
KON-FS150-K	1 Piece	1 Piece	/
KON-FS450-K	1 Piece	1 Piece	/
KON-FS1000-K	1 Piece	1 Piece	1 Piece

**KONTREC® S75**



Specifications	
Residual oil content	<10 mg/l
mineral lubricants	Standard type
synthetic lubricants	K type
Stable emulsions	K type
Housing material	ABS, completely recyclable

KONTREC® S150-1000



	KON-S 150	KON-S 450	KON-S 1000
A (inch)	13	16	19
B (inch)	9	12	16
C (inch)	8	11	15
D (inch)	23	31	39
E (inch)	18	26	35
F (inch)	4	4	4
G (inch)	10	14	17
Condensate inlet connection	1/2"	1/2"	1/2"
Connection water drain	1/2"	3/4"	3/4"
Connection for sampling	1/4"	1/4"	1/4"

Specifications	
Residual oil content	<10 mg/l
mineral lubricants	Standard type
synthetic lubricants	K type
Stable emulsions	K type
Housing material	PE, completely recyclable